

SPECTRUM™ III

MOIR INSERT READER

USB 



Intelligent OEM Module

for Magnetic Stripes RS-232, USB-HID, USB-HID-KB, USB-CDC, and Keyboard Wedge Interface

Reads magnetic stripes

ID TECH's Spectrum Magstripe Only Insert Reader (MOIR) is designed to read and decode up to three tracks of magnetically-encoded information. It reliably reads media conforming to ISO 7810 and 7811 standards and it reads most formats like AAMVA for driver licenses. The magnetic head is spring-loaded to ensure good contact with warped or bowed cards.

Intelligent interface options

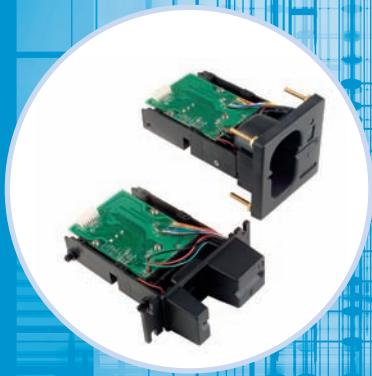
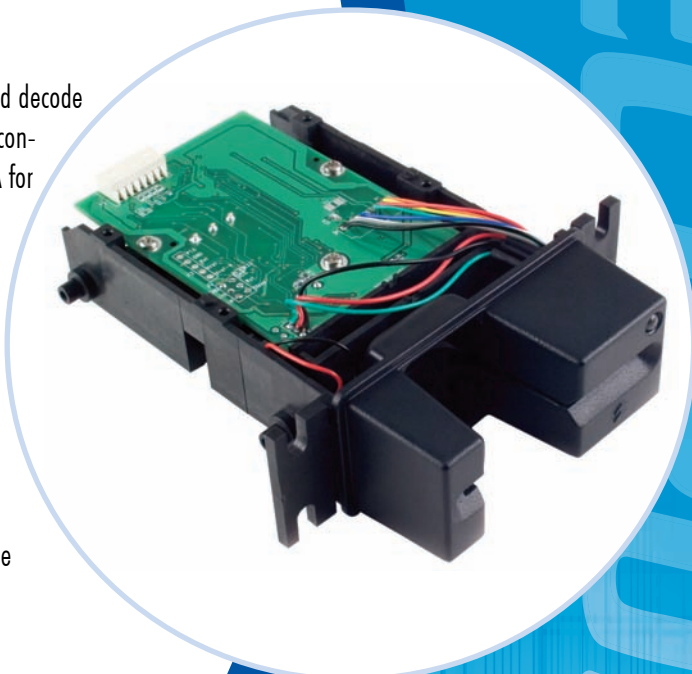
The MOIR provides many communication options: RS232 Serial, USB-CDC (virtual COM), USB-HID, USB-HID-KB, and Keyboard Wedge (PS/2). Both OPOS & JPOS support is provided. PC operating system provides the USB-CDC drivers for standard operating function. Most keyboard language types are supported for keyboard wedge operation. Other drivers and support are available on the ID TECH website.

Selects and formats data

The ID TECH Hybrid Insert Reader is a fully-intelligent unit that can be configured to read all tracks or selected tracks from a magnetic stripe. It can also output data with a terminating character and up to nine prefix and/or postfix characters to match a data format expected by the host. ID TECH provides a Configuration Utility for configuration of the reader interface and the output data format. The PC based software application is available to download from the ID TECH website.

Industry compatible footprints and applications.

- Chassis molded from fiber-filled engineering plastic
- Supports magnetic head and PCB
- Bezel options - standard, metal or flush-mount
- Tri-color LED (optional)
- User-transaction confirmation
- Debris opening



IDTECH®

Value through Innovation

Spectrum III Intelligent MOIR Specification (SPT3-3XX)

Electrical

Power Requirements:

RS-232: +5 VDC/55mA (power adapter regulated 5 VDC/250mA or equivalent)

Operating Current:

USB & Keyboard: +5 VDC/55mA power supplied by the host computer

55 mA maximum for three tracks of magnetic data

Environmental

Operating Temperature:

32° F to 131° F (0° C to 55° C)

Storage Temperature:

-40° F to 158° F (-40° C to 70° C)

Humidity:

Maximum 95% non-condensing

Reliability

Operating Life:

Magnetic Head: 1,000,000 cycles minimum*

Chassis and Bezel: 1,000,000 card cycles minimum*

One year, parts and labor

*All wear reliability numbers are based on operation in a benign environment

Warranty:

Mechanical

Media Thickness:

0.025 to 0.035 inches. Maximum card thickness 0.035 inches

Media Formats:

ISO 7811, AAMVA driver license format, and coercivity of 300 to 4,200 Oersted

Reading Speed:

3 to 50 inches per second.

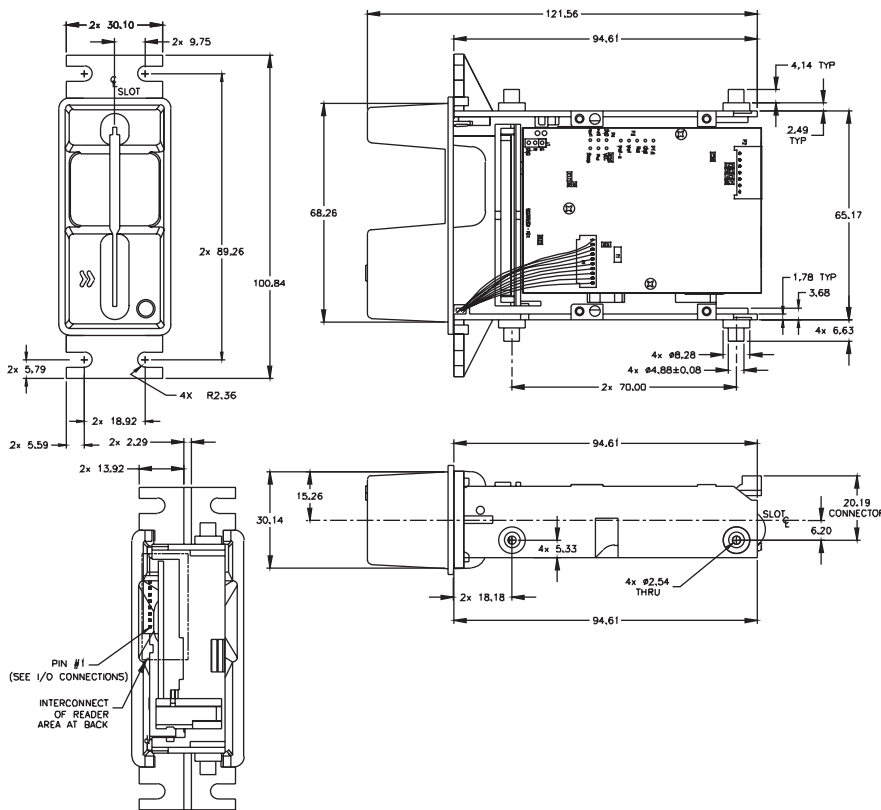
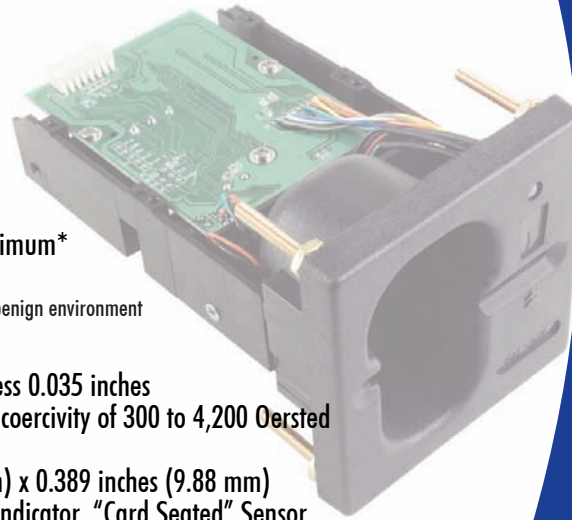
Dimensions(L)x(W)x(H):

4.64 inches (117 mm) x 3.97 inches (101 mm) x 0.389 inches (9.88 mm)

Options:

Standard, Flush, & Metal Bezels. Gate, LED Indicator, "Card Seated" Sensor, "Card Present" Sensor.

Footprint:



IDTECH[®]
Value through Innovation

Corporate Headquarters:

10721 Walker Street Cypress, California 90630

www.idtechproducts.com

(714) 761-6368 sales@idtechproducts.com

International Sales Office for Canada & South America:

+450 465 5261 (Canada) robertop@idtechproducts.com

European Sales Offices:

+33 5 65 50 28 59 (France)

+49(0) 8851 6159900 (Germany)

emea@idtechproducts.com

ISO 9001 : 2000 Certified