

## ID TECH Kiosk V Quick Installation Guide

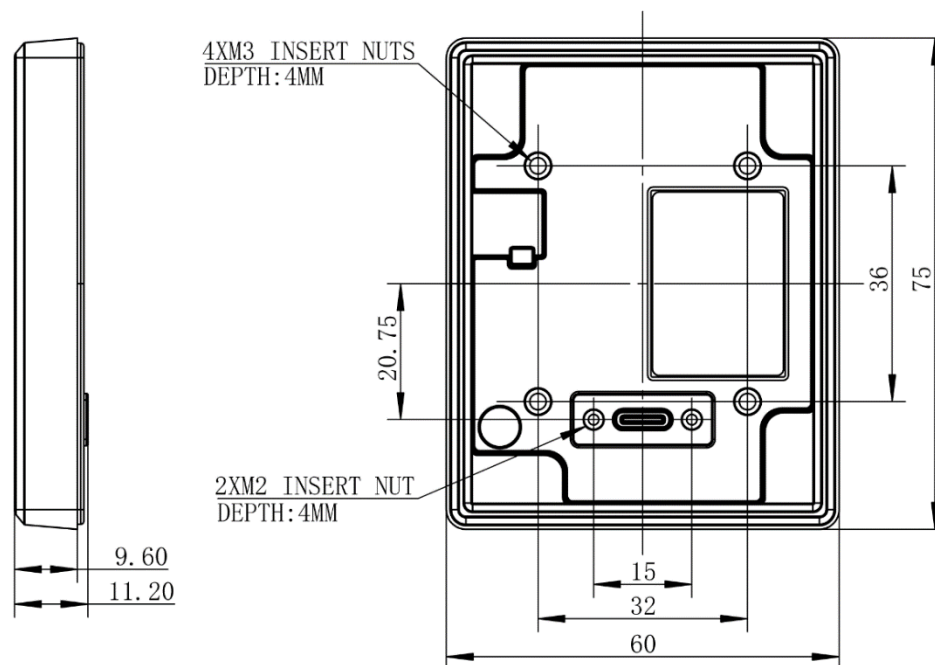
### Mounting the Kiosk V

**Warning:** The NFC antenna's RF field is sensitive to the proximity of metal. If you must mount the Kiosk V in or on a metal surface, note the following requirements to minimize the impact on RF performance:

- Kiosk V readers must not be installed behind any metal surfaces or materials that have metallic content, which blocks the RF field.
- Mount Kiosk V readers a minimum of 2cm away from any metal surface.
- Keep the RF-emitting surface of Kiosk V readers at least 2cm from any metal.

**Note:** For safety reasons, make sure to mount the Kiosk V at a height no greater than two meters from the floor.

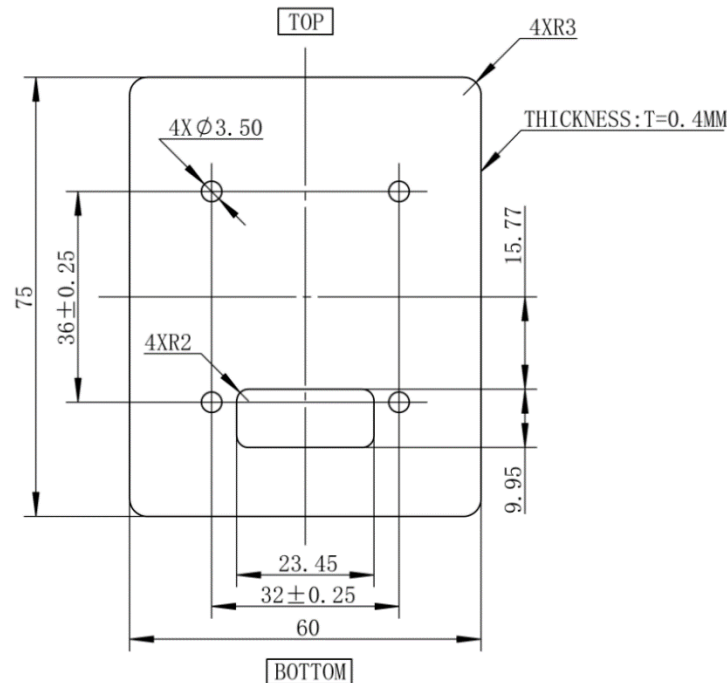
### Kiosk V Part# IDVK-5XX:



**Note:** The Kiosk V is post-compatible with Kiosk III and Kiosk IV dimensions. Posts are 36mm apart in the lengthwise direction and 32mm apart widthwise. See drawing below.

Use the following instructions to mount the Kiosk V on the exterior of a kiosk structure:

- Using the Drill Template below, locate and mark the (4) 3.5mm (0.138 inch) mounting holes.



**Note:** Verify the orientation of the Kiosk V before marking and drilling the holes. The **rectangle** hole should be located towards the bottom of the mounting location to ensure that the Kiosk V is oriented correctly with the LEDs at the top.

- Using the Drill Template, locate and mark the 9.95mm\*15.77mm (0.392inch\*0.621inch) rectangle hole (used for connecting the USB-type C cable to the Kiosk V).
- Align the four M3 screws with the mounting holes and attach the Kiosk V to the outside surface.
- Use the four screws to secure the Kiosk V to the outside surface of the kiosk. Make sure to tighten the screws securely so that the Kiosk V does not move on the outside surface of the kiosk.
- Route the end of the USB-Type C cable through the rectangle hole into the kiosk and tighten the two M2 screws in the over mode of the USB-Type C cable to ensure the cable is locked reliably.

### Installation Suggestions

- The Kiosk V is susceptible to RF and electromagnetic interference. **Do not mounted the unit within 3 or 4 feet of large electric motors, computer UPS systems, microwave transmitters (Wi-Fi routers), anti-theft devices, radio transmitters, communications equipment and so on.**
- Close proximity of metal to the RF-emitting end of the NFC antenna can greatly reduce the NFC antenna's range.**