

Spectrum™ III Insert Reader Bezel Configurations



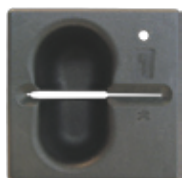
Standard Bezel



Large Standard Bezel



Spectrum III with
Standard Bezel



Standard Flush Mount Bezel



Large Flush Mount Bezel



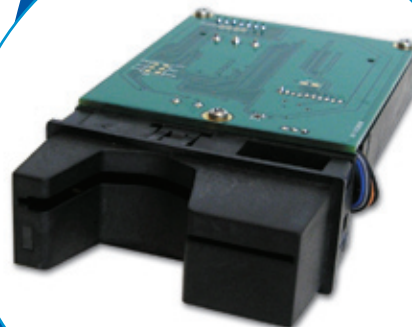
Metal Bezel

Options:

- Models available in MagStripe Only, Hybrid, and Smart Card Only
- LED guides user through reading process and machine status
- Optional Card Present Switch (Front Sensor) and standard Card Seated Switch
- Latch holds card in reader during operation processes
- Support up to five SAM
- Debris gate to restrict debris and coins from entering the reader card slot
- Extended temperature and harsh environment option
- Compact version available (shown in picture to the right)

Standard Interfaces:

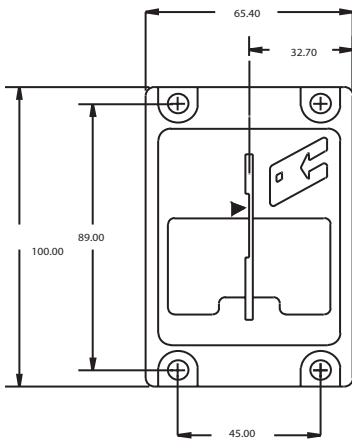
- USB HID Keyboard (Mag Only)
- Keyboard Wedge (Mag Only)
- USB PC/SC (Driver supports MagStripe)
- RS-232 PC/SC (Driver supports MagStripe)
- RS-232
- USB CDC
- USB RS-232



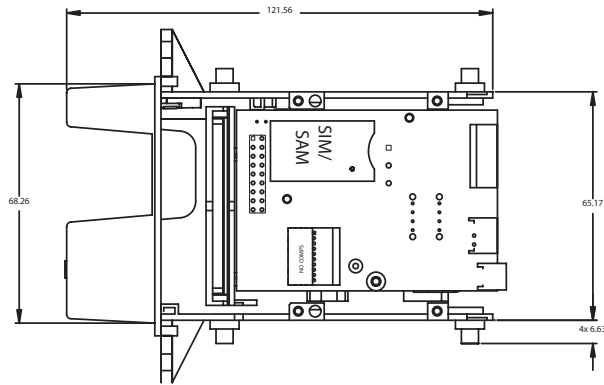
Spectrum III Compact

IDTECH®
Value through Innovation

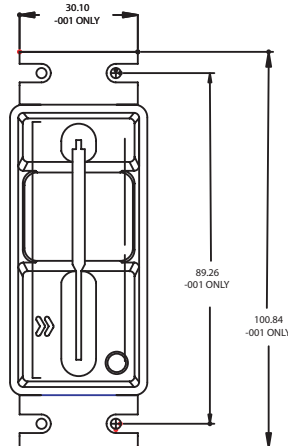
Mechanical Drawings and Dimensions



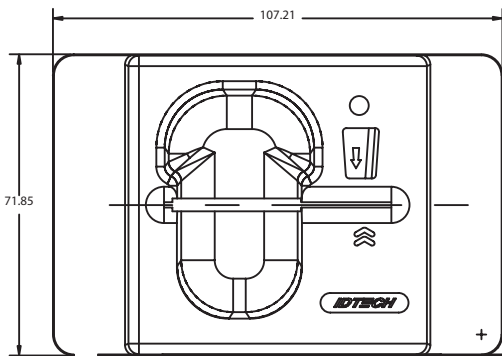
Metal Bezel



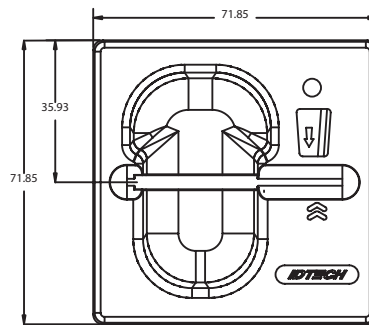
Standard Bezel



Standard Bezel



Large Flush Mount Bezel



Standard Flush Mount Bezel

Standard Insert Reader Features:

- Guaranteed for 1,000,000 magnetic and smart card reading cycles
- Various bezel options for many applications
- One year warranty, parts and labor
- Operating temperature: 0°C to 55°C
- OPOS and JPOS drivers available upon request
- Supported by user-friendly configuration software
- Debris opening in chassis prevents jamming by foreign material

Magnetic Stripe Features:

- Magchip technology ensures superior read performance on real-world cards
- Supports MagStripe cards conforming to ISO 7810 & 7811 standards
- Reads and decodes up to three tracks of data
- Read speed range of 3-80 inches per second

Smart Card Features:

- Reliably reads smart cards conforming to ISO 7816 standards
- Terminal Level 1 EMV approved
- PCSC interface supported
- Optional card latch

IDTECH[®]
Value through Innovation

Corporate Headquarters:

10721 Walker Street, Cypress, California 90630
www.idtechproducts.com
(714) 761-6368 sales@idtechproducts.com

International Sales Office for Canada & South America:

+ 450 465 5261 (Canada) robertop@idtechproducts.com

European Sales Offices:

+ 49(0) 8851 6159900 (Germany)
emea@idtechproducts.com

ISO 9001 Certified